

The background features a dark blue gradient with a pattern of overlapping circles and halftone dots. The circles are outlined in a lighter blue, and the dots are arranged in a grid-like pattern that becomes more dense towards the right side. A thin white horizontal line is positioned above the main text, and another thin white horizontal line is positioned below it.

CNZ BEARINGS PVT. LTD.

WHERE INNOVATION IS IDENTITY

ABOUT US

CNZ Bearings Pvt. Ltd. is Ahmedabad, IN based leading company offering the largest variety of world class bearings for industrial, agricultural, automotive and maintenance purpose.

The business philosophy of organization is to understand the needs and wants of our clients and manufacture customized products.

CNZ has endeavored to offer world class bearings that are high in quality since 1980.

Apart from laying emphasis on the quality of the products, organization also lay an equal emphasis on timely delivery of the consignments.

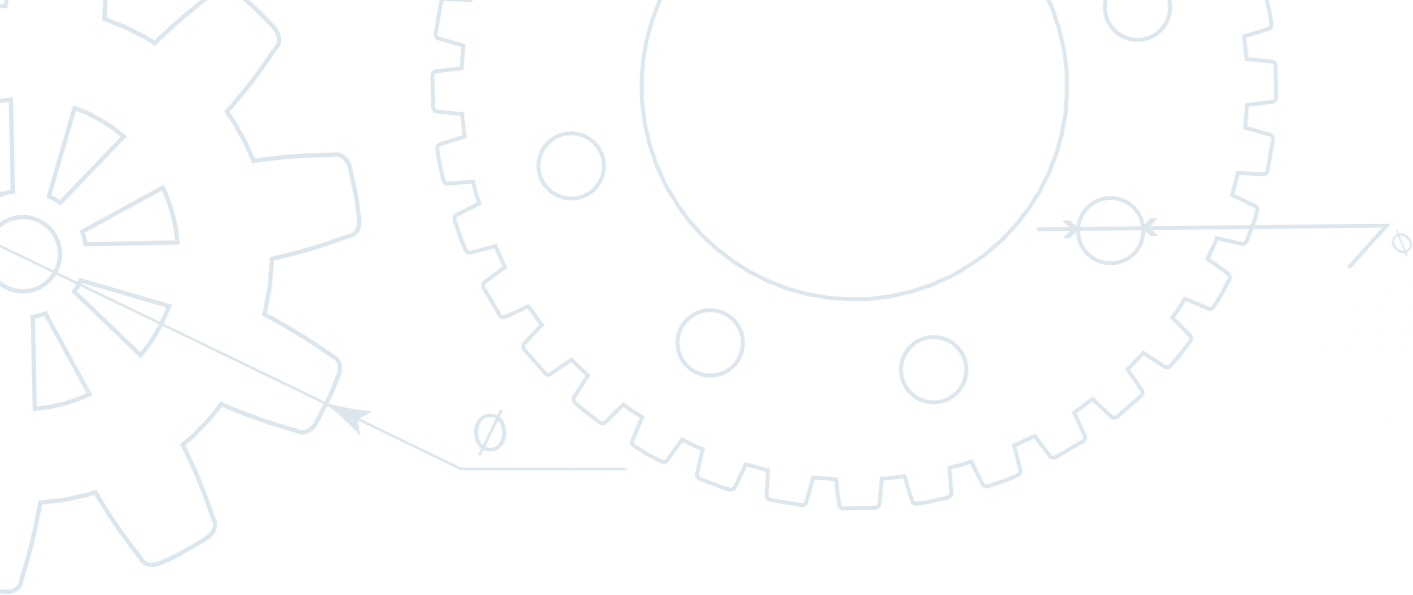
The ambition that has driven us for over **40 years** is now at its highest peak, which is reflected through various junctures that we have executed over our long presence in the industry.

As a pioneer in industrial bearings we have developed state of the art technology keeping in mind local resources.

Developed contract manufacturing to achieve the best efficiency & economy.

Developed manufacturing facilities in Gujarat state - the manufacturing hub.

Our mission is to create a single value chain that spans from production to application and in doing so transform the bearing market into one governed by brands offering a quality bearings at an optimized cost.



CORE VALUES

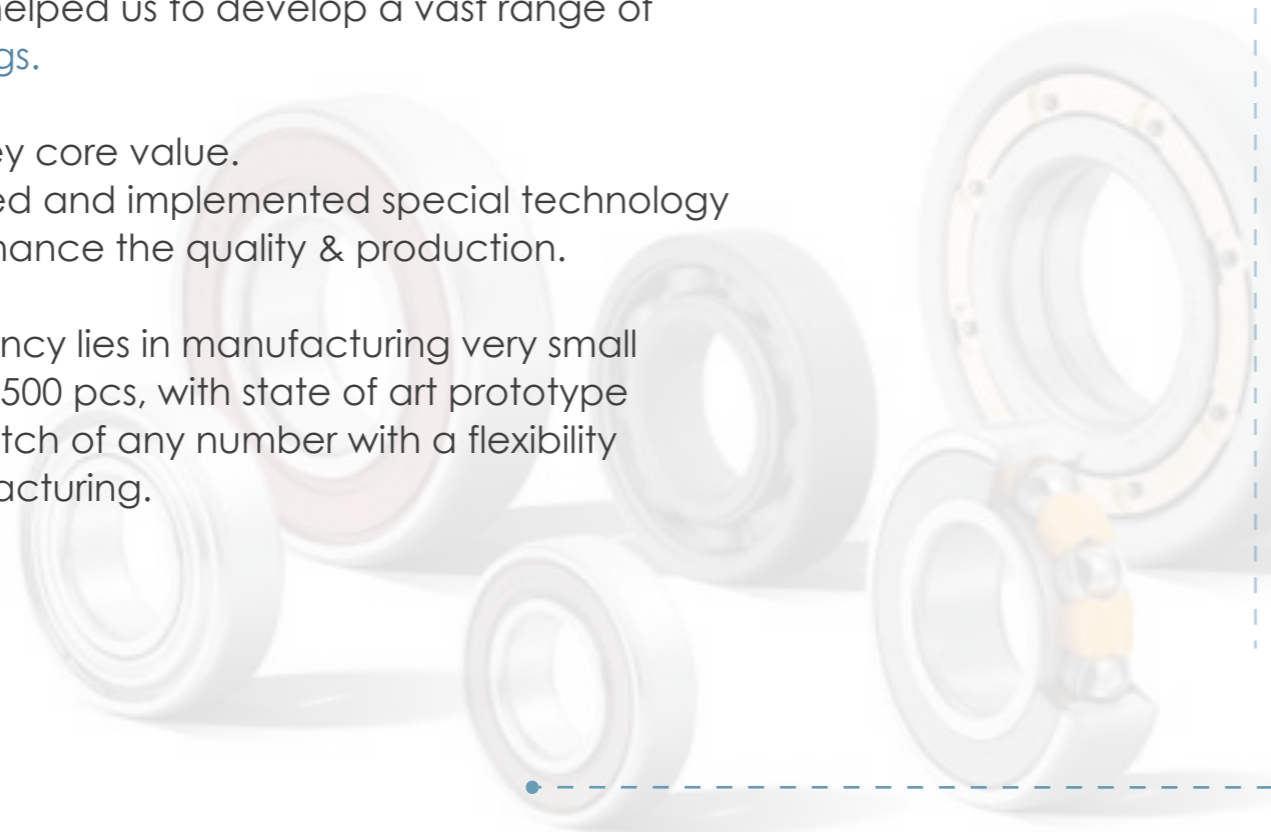
By virtue of our experience we are aggressively fulfilling the expectations of our customers, as we see the world from their view.

We understand the product from the customer's perspective and doing so has helped us to develop a vast range of [customised bearings](#).

Innovation is our key core value.

We have developed and implemented special technology and process to enhance the quality & production.

Our core competency lies in manufacturing very small batches i.e. 200 to 500 pcs, with state of art prototype plant to a large batch of any number with a flexibility of contract manufacturing.



INFRASTRUCTURE

We set out to be a leading company of bearings while developing both our wide array of products and our brand, [CNZ](#).

Here is how we have invested in our business' unmatched manufacturing strength:

Our three contract manufacturing units have a collective strength to manufacture [one lac](#) bearings / assemblies per month using the latest technology.

Soon we will establish a bearing-manufacturing unit dedicated exclusively to exports with a cumulative capacity to grind out one-lac bearings per month.

VERSATILE BEARINGS FOR VERSATILE PURPOSES.

Being unique has always been a part of our philosophy.
Our core ideology is reflected in our product range.

We produce all kind of regular bearings and over and above it,
we are equally as best in producing special purpose bearings.



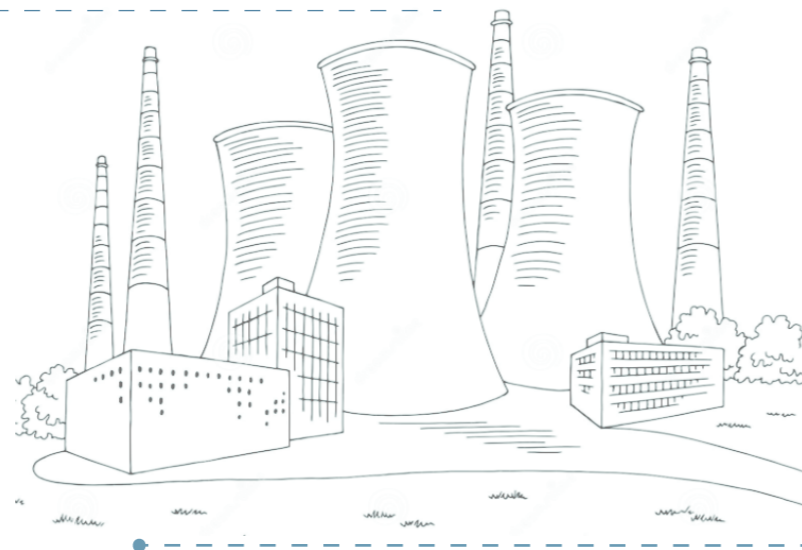
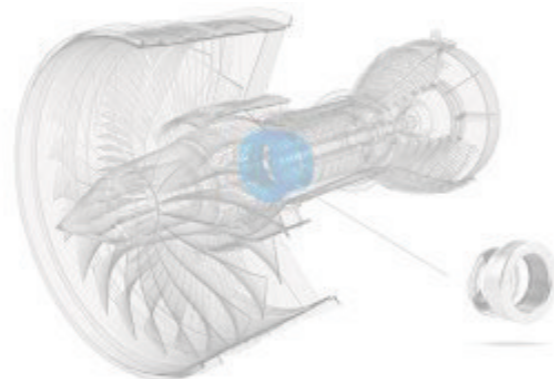
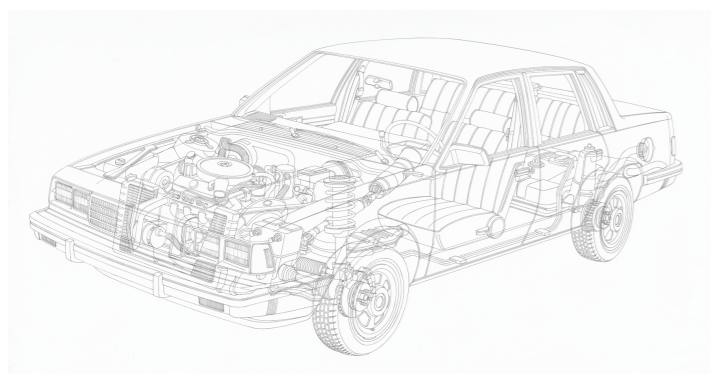
BEARINGS | SLEWING RINGS | LINEAR MOTION PRODUCTS



SEGMENTS SERVED

AUTOMOBILE / AEROSPACE INDUSTRY / STEEL INDUSTRY
 EARTH MOVING MACHINERY / POWER PLANTS
 OIL EXPLORATION / PROCESS ENGINEERING
 TEXTILE INDUSTRY / CEMENT PLANTS / GEARBOX
 POWER TRANSMISSION / ROLLING MILLS / PAPER MILLS
 AUTOMATION / HYDRAULICS & PNEUMATICS
 DYES AND INTERMEDIATES

Our products are used in various industries with various applications. Some of them are illustrated below.



MACHINE TOOLS
 ELECTRIC MOTOR
 BALL SCREW SUPPORT
 TEXTILE MACHINERY
 PUMP AND MOTOR
 MEDICAL EQUIPMENTS
 AGRICULTURE MACHINERY
 PHARMA, SCANNING MACHINE
 TROLLEY BEARINGS
 HYDRAULIC CYLINDERS &
 POWER PACK



APPLICATIONS

CONVERTING & ROTOGRAVURE
 BALL TRANSFER UNITS
 ESCALATORS AND ELEVATORS
 CONVEYER SYSTEM
 FOOD PROCESSING MACHINES
 POWER TOOLS
 BOTTLING PLANTS
 DAIRY MACHINERY
 MATERIAL HANDLING
 AND MANY MORE..



RANGE OF PRODUCTS

Sliding Bush Bearings / Linear Motion Products
Slewing Rings-Slew Drives-Pinions-Racks
Stainless Steel Bearings / Pillow Block Bearings
Special Purpose Bearings / Ball Bearings
Roller Bearings / Rod Ends - Ball Joints
Thermo-Plastic Housing / Linkages
Spherical Plain Bearings

We offer a wide range of bearings, from simple CI Plummer Blocks to sophisticated Linear Actuating Systems.
0.5 mm bore dia miniature bearing to 6000 mm bore dia slewing rings.
All under one roof.



SLEWING RINGS BEARINGS

DIA 20 MM - 6000 MM / INTERNAL - EXTERNAL /
WITHOUT GEARS / BOTH - SIDE GEARS / SLEW DRIVE

APPLICATIONS

CONSTRUCTION MACHINERY / AMUSEMENT RIDES
OIL EXPLORATIONS / MATERIAL HANDLING
TURN TABLES / ROBOTICS / HEAVY ENGINEERING
WIND MILLS / SPACE APPLICATIONS



SLEWING RING WITH GEAR



SLEW DRIVE



PRECISION SLEW BEARING



SLEWING RING WITHOUT GEAR



PINIONS



MINIATURE SLEW BEARING

SPHERICAL PLAIN BEARINGS

APPLICATIONS

CONSTRUCTION MACHINERY / AMUSEMENT RIDES
OIL EXPLORATIONS / MATERIAL HANDLING
TURN TABLES / ROBOTICS / HEAVY ENGINEERING
WIND MILLS / SPACE APPLICATIONS

Endless sizes & varieties as per application, specifications & drawings.



ROD ENDS & LINKAGES



BALL JOINTS



RADIAL PLAIN BEARING



RADIAL PLAIN BEARING WITH HOUSING



MAINTENANCE - FREE PLAIN BEARING

STAINLESS STEEL BEARINGS

APPLICATIONS

Standard material for rings and balls is vacuum high carbon chromium steel allowing for high efficiency, low torque, low noise level and long bearing life.

Features & Advantages:

- Selection of variety of stainless steel materials
- Non corrosive, wear & tear resistant for extended service life
- Reduced maintenance costs and equipments downtime

(SS-304 AND SS-316 MATERIAL BEARINGS ARE OFFERED FOR CUSTOMIZED APPLICATION)

FOOD PROCESSING / CONSTRUCTION MACHINERY
 SURGICAL EQUIPMENTS / PHARMA MACHINERY
 MARINE INDUSTRY / ROBOTICS / ESCALATORS
 WIND MILLS / BEVERAGE MACHINERY / PACKAGING



S.S. BALL BEARING



S.S. PLAIN BEARING



S.S. SHAFT



THERMO - PLASTIC HOUSING WITH S.S. BEARING

UNIT BEARINGS

APPLICATIONS

WIDELY USED / MULTIPLE APPLICATIONS / ECONOMICAL

- Increased equipment uptime with minimal maintenance
- Suitable for most industrial applications
- Pillow blocks are easily interchangeable
- Wide range of selection
- Available in S.S. and maintenance-free as well

AGRICULTURE / AUTOMOTIVE / INDUSTRIAL

- Triple-lip-seal inserts unit bearing provides advanced protection against dust and moisture making it almost fully waterproof.



PILLOW BLOCK UNIT



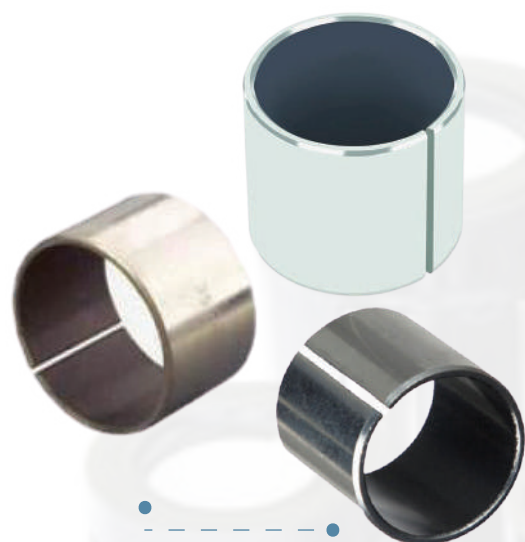
TRIPLE - LIP SEAL INSERTS

LINEAR MOTION BUSH

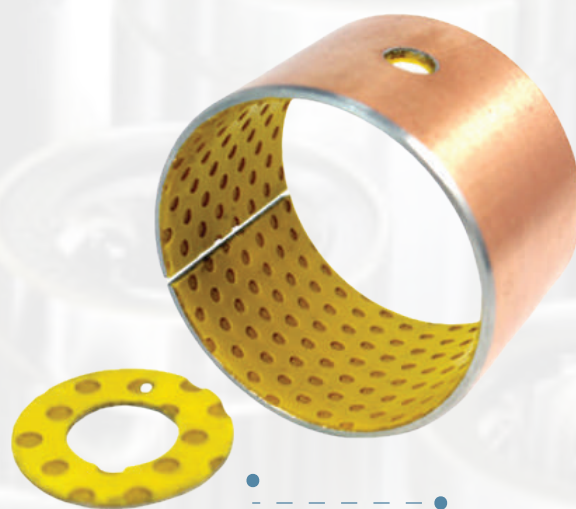
SELF LUBRICATED | STANDARD & CUSTOMISED
ECONOMICAL

APPLICATIONS

AUTOMOBILE / HYDRAULIC GEAR PUMPS / ENGINE
TEXTILE INDUSTRY / EARTH MOVING MACHINES
MOULD DIE / PLASTIC INJECTION MOULDING
HYDRAULIC PRESSES MACHINE



DU BUSH



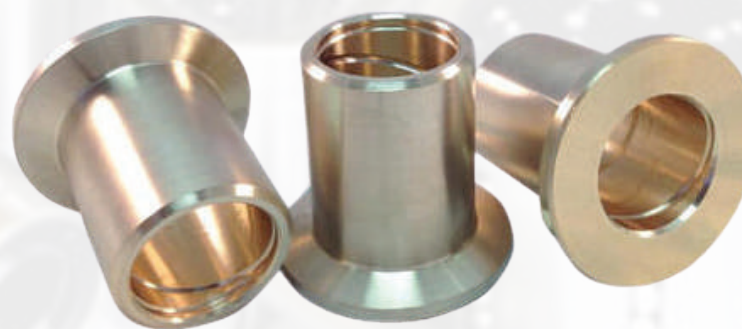
POM COATED BUSH



GRAPHITE PLUGGED OILES BUSH



CAST BRONZE BUSH



BIMETAL BUSHING



BALL RETAINER BUSH

BALL & ROLLER BEARINGS



DEEP GROOVE
BALL BEARING



SUPER PRECISION
BALL BEARING



MINIATURE BEARING



SLIM BEARING



COMBINED BEARING



SHEET METAL
BEARING



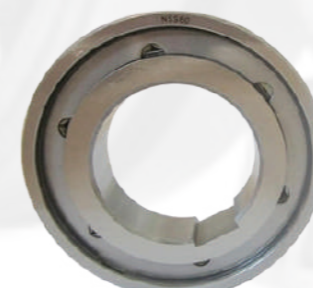
TAPERED ROLLER
BEARING



SPHERICAL ROLLER
BEARING



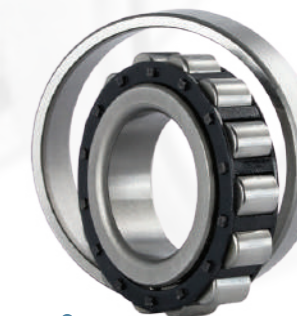
NEEDLE ROLLER
BEARING



CAM ROLLER
BEARING



THRUST ROLLER
BEARING



CYLINDRICAL ROLLER
BEARING

LINEAR MOTION PRODUCTS

APPLICATIONS

FOOD PROCESSING / CONSTRUCTION MACHINERY
SURGICAL EQUIPMENTS / PHARMA MACHINERY
MARINE INDUSTRY / ROBOTICS / ESCALATORS
WIND MILLS / BEVERAGE MACHINERY / PACKAGING



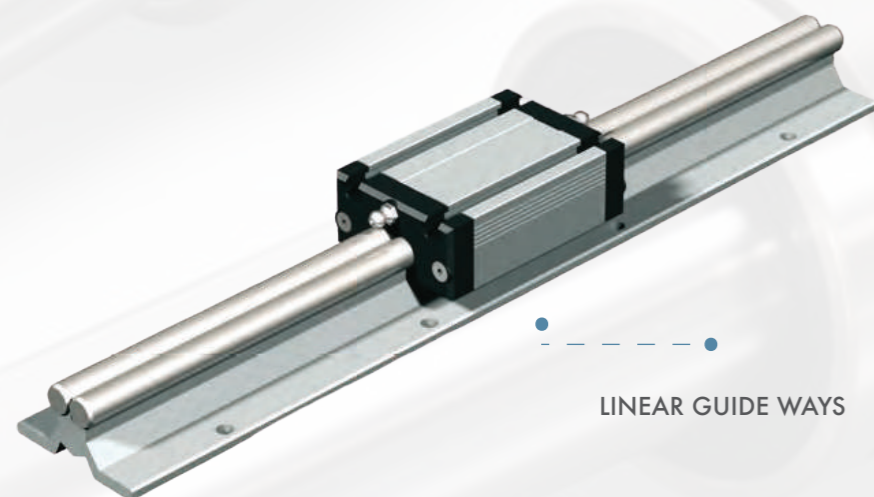
SHAFT



LINEAR MOTION BEARING



BALL SCREW



LINEAR GUIDE WAYS



RACK & PINION

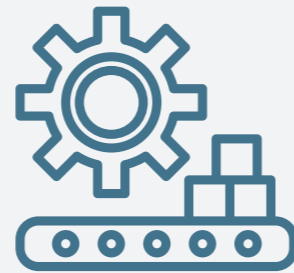


CROSS ROLLER GUIDE

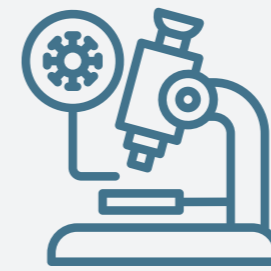
QUALITY POLICY



Strong R&D to manufacture products with cutting edge technology



Strict norms on procuring raw materials



Inspection of each and every bearing



Better, faster and economical is our motto

(Please refer the website for more information about our products and services.)

Contact our Support and Sales team



CNZ Bearings Pvt. Ltd.
17, Aryan Corporate Park,
Nr. Thaltej Railway Crossing, Thaltej,
Ahmedabad-380054, GJ (INDIA)



+91-79-26474700 | +91-79-26474719



sales@cnzbearings.com



www.cnzbearings.com